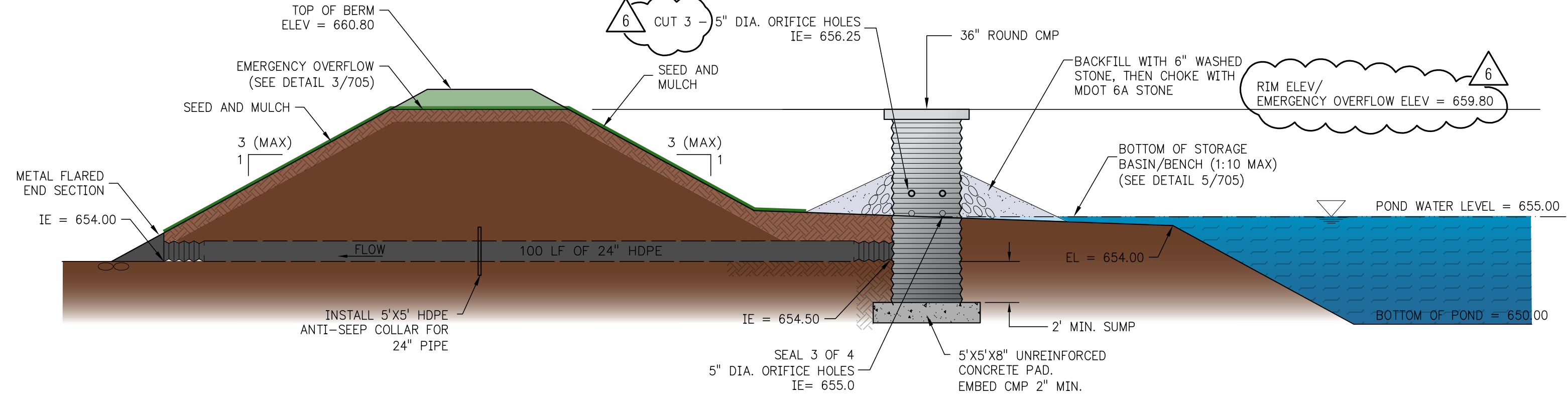


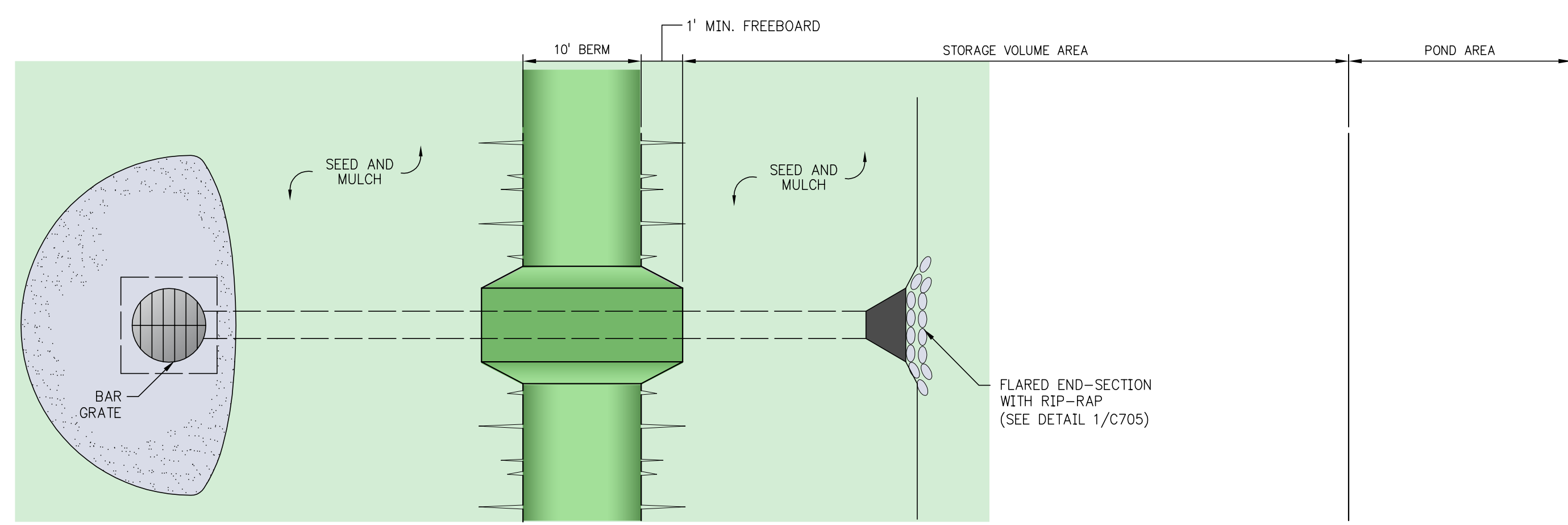
NOTE: EXTREME CARE MUST BE EXERCISED TO ENSURE THAT THE OUTLET HOLES IN THE STANDPIPE DO NOT BECOME CLOGGED WITH SEDIMENT DURING CONSTRUCTION.

PLAN VIEW



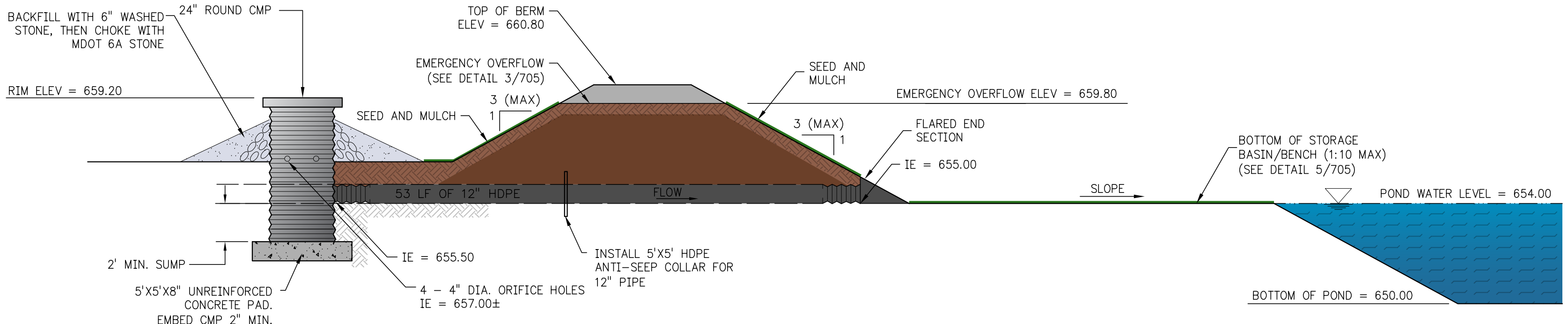
PROFILE VIEW

1 C312 BASIN #1 SLOW RELEASE DETAIL NO SCALE



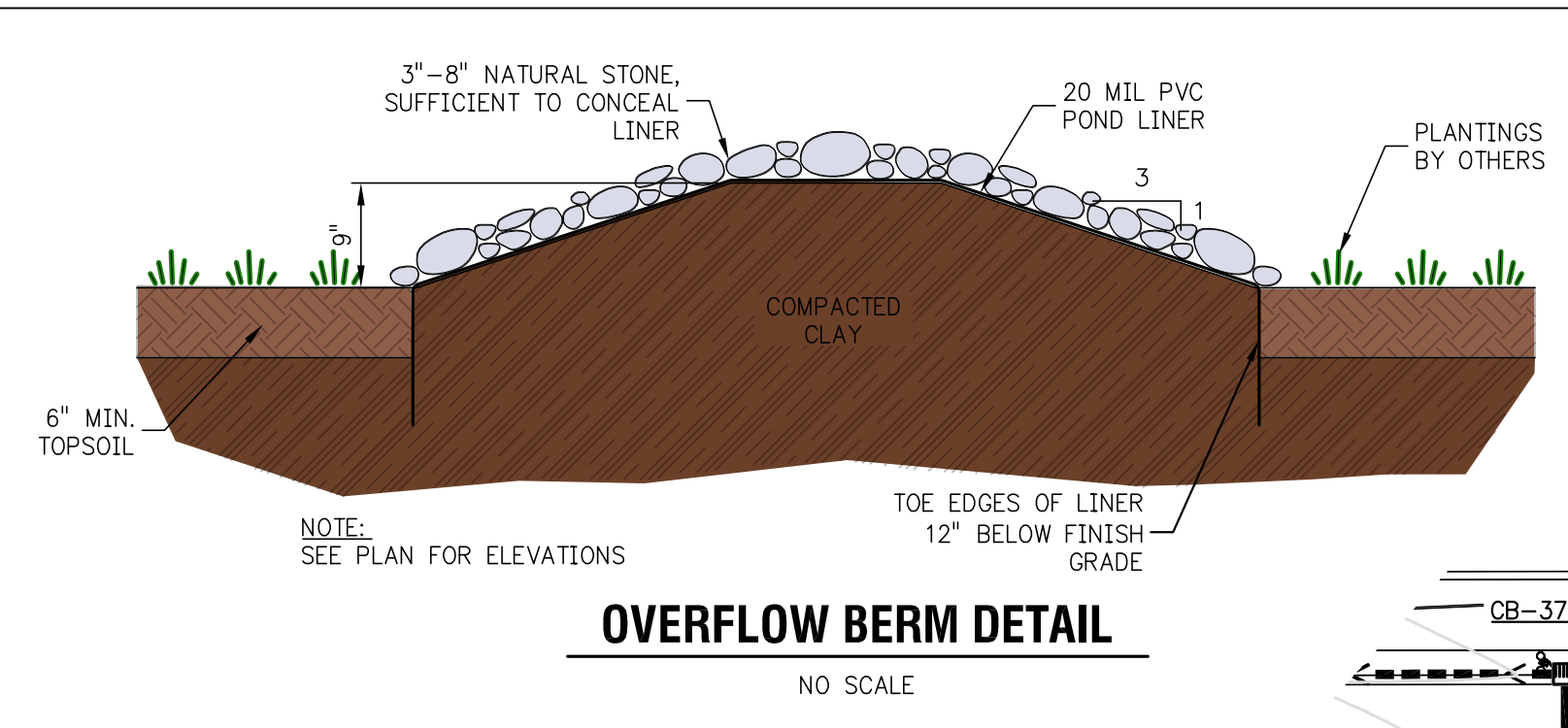
NOTE: EXTREME CARE MUST BE EXERCISED TO ENSURE THAT THE OUTLET HOLES IN THE STANDPIPE DO NOT BECOME CLOGGED WITH SEDIMENT DURING CONSTRUCTION.

PLAN VIEW

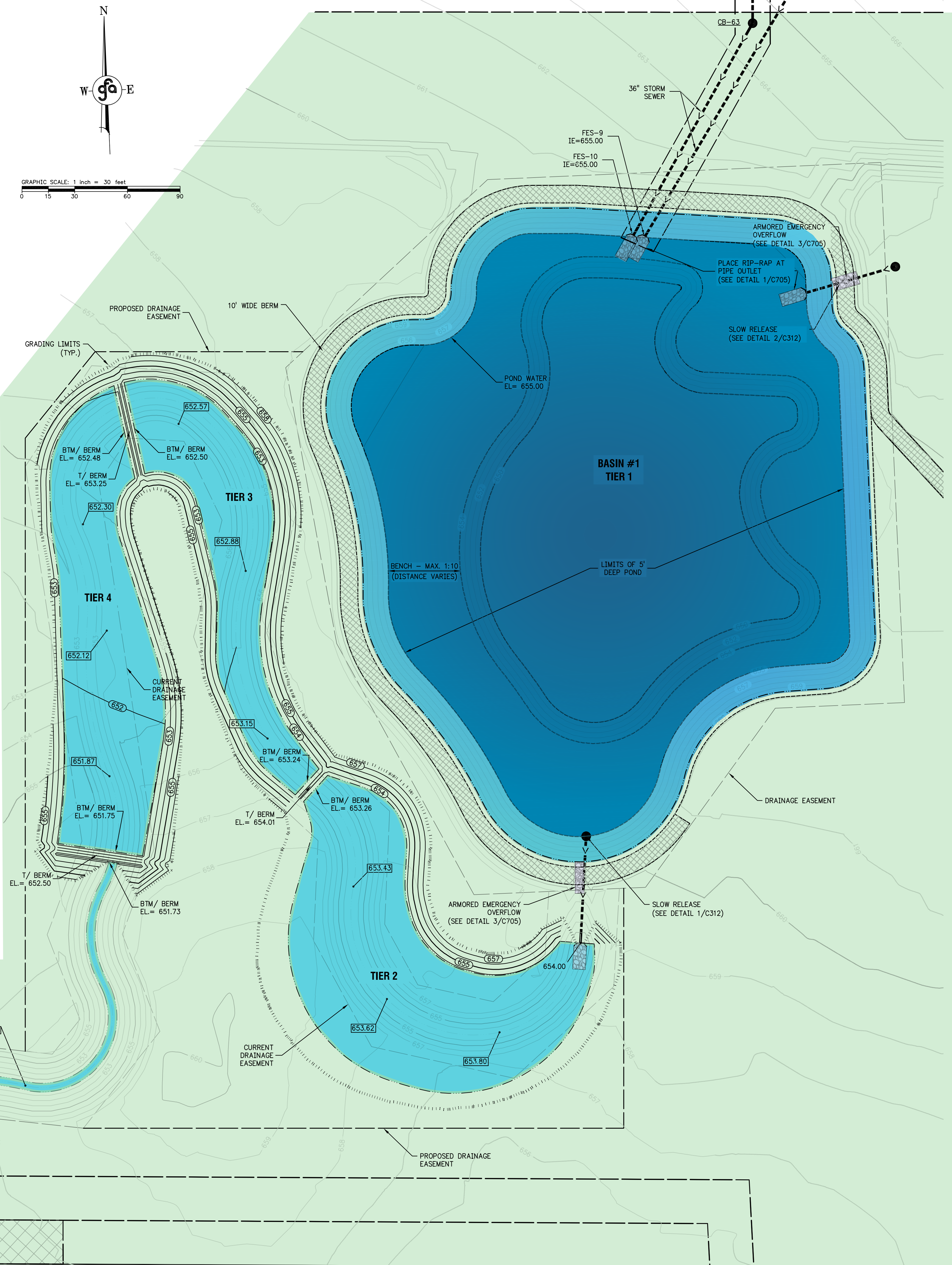


PROFILE VIEW

2 C312 TEMPORARY POND RELEASE DETAIL NO SCALE



OVERFLOW BERM DETAIL NO SCALE



GENERAL NOTES
1. REFER TO SHEET C100 FOR BENCHMARK INFORMATION.

GRAND TRAVERSE TOWN CENTER
ACME TOWNSHIP, GRAND TRAVERSE COUNTY, MI

VILLAGE AT GRAND TRAVERSE, LLC
CINCINNATI, OH 45209-1955
3805 EDWARDS ROAD, SUITE 700
(513) 241-5800

REVISION NO.	REVISION	REV. DATE
4	SLOW RELEASE REVISIONS	02/29/2015
5	GC REVIEW COMMENTS	04/15/2015
6	GOULDING CZUBAK REV.	05/05/2015
3	CREATE TIERED DRAINAGE SWALE	02/13/2015

DESIGNED BY:
ga Gourdie-Fraser
Municipal | Development | Transportation
123 W. Front Street, Troy, MI 48060
phone: (313) 946-0974, fax: (313) 946-3703

BASIN #1 DETAIL

DRAWN BY	CHECKED BY	ISSUE DATE	ISSUE NO.	SHEET NO.
TGR	TLMB			C312
MANAGER	T. BOYD P.E.			12102